

# FLASH 5™

Fast Loading Accessible Shell Holder



## WARNING

You **MUST** remove all ammunition from within the firearm and engage the safety before proceeding.

**START  
HERE**

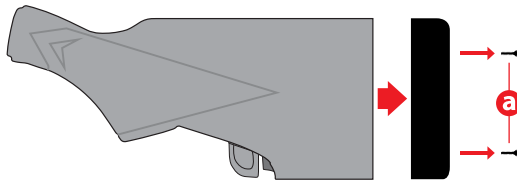
## INSTALLATION INSTRUCTIONS: Lower Magazine Assembly Swap

 **Phillips Screwdriver Required For Assembly**

**WARNING:** When installing Phillips head screws, avoid over-tightening as this could cause damage to the stock and screw.

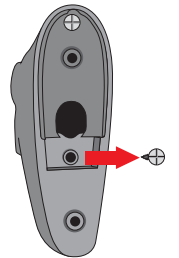
Step  
**1**

Remove recoil pad from the rear of the FLASH-5 stock by removing the two 8-32 x 1 1/4" Phillips head screws (a).



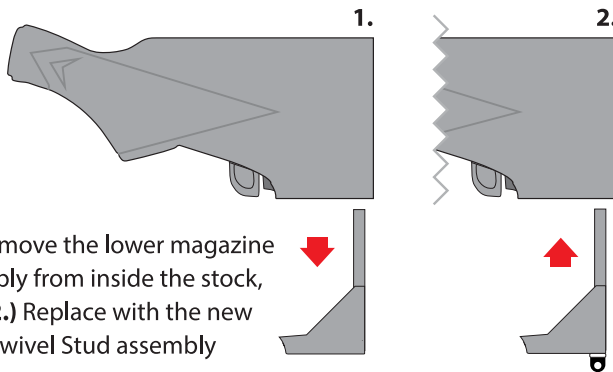
Step  
**2**

Release the magazine lower assembly by removing the 8-32 x 1/2" Phillips head screw at the rear of the stock.



**NOTE: Do NOT remove** the Phillips screw located at the top-rear of the stock.

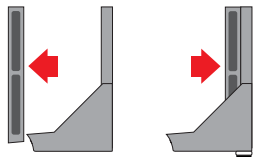
Step  
**3**



(1.) Remove the lower magazine assembly from inside the stock, and (2.) Replace with the new Sling Swivel Stud assembly

**STEP 3 NOTE: (optional)**

Don't forget to transfer the magazine **spacer** from the original to the new lower magazine assembly for use with 2 3/4" or 3" shells.

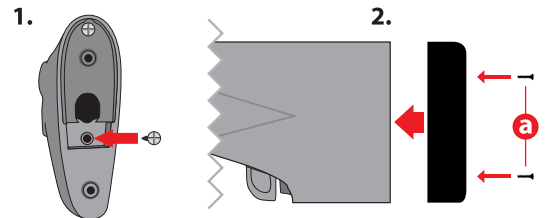


Original Part    New Part

Step  
**4**

**IMPORTANT:**

Ensure the lower magazine assembly is properly seated or the retention screw will not engage the assembly.



(1.) Replace the 8-32 x 1/2" Phillips head screw you removed in Step 2, and (2.) Replace the Recoil Pad with the two 8-32 x 1 1/4" Phillips head screws you removed in Step 1 (a)



For more information or for further assistance:  
Visit our website at: [www.TactaLoad.com](http://www.TactaLoad.com)

Call us Toll-Free at: 1-(800) 676-4816 or Email us at: [info@tactaload.com](mailto:info@tactaload.com)