

Step 4

From the hardware bag included:

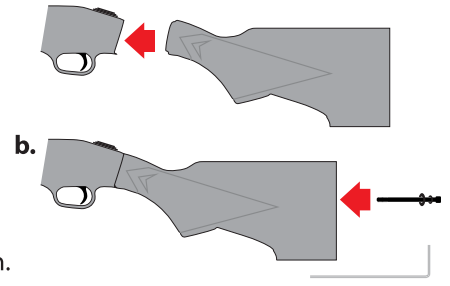
Remove the split washer, the flat washer and the large bolt.

(a.) Place the split washer onto the bolt first followed by the flat washer.



a.

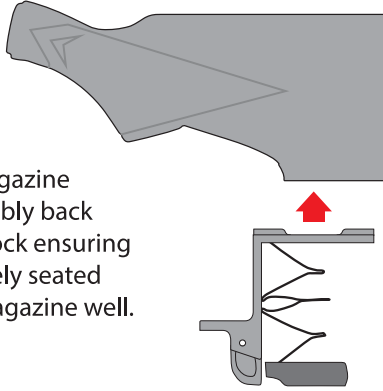
(b.) Attach the stock to the shotgun using this bolt and the supplied L-wrench.



b.

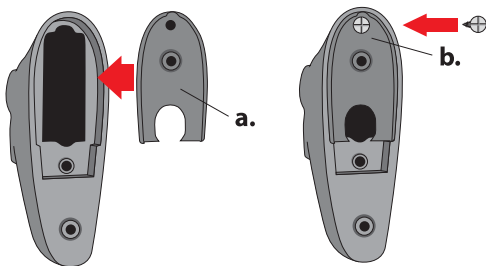
Step 5

Place the magazine spring assembly back inside the stock ensuring it is completely seated inside the magazine well.



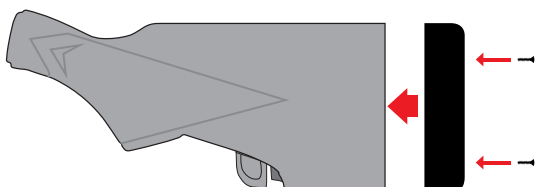
Step 7

Replace the rear insert you removed in Step 2 (a.) and secure with the other Phillips head screw. (b.)



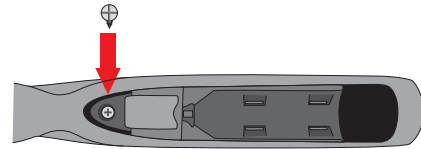
Step 9

Place recoil pad onto the rear of the FLASH-5 stock and secure with 2 Phillips head screws.



Step 6

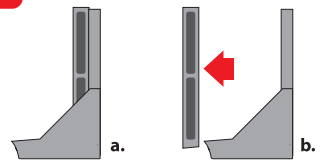
Using the Phillips head screw located in the supplied hardware bag, attach the front of the spring-loaded shell retainer to the stock.



! STEP 8 NOTE: (optional)

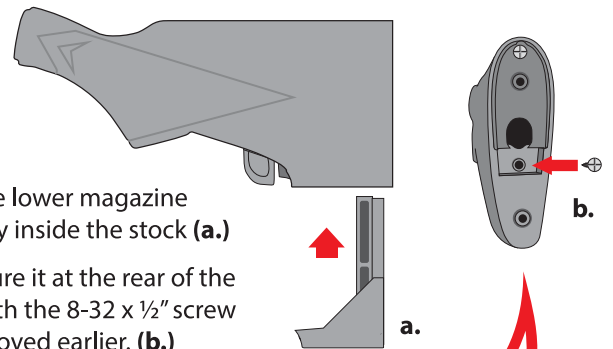
If you will only be utilizing 2 3/4" or 3" shells, leave the magazine spacer connected to the lower magazine assembly. (a.)

If you will only be utilizing 3 1/2" shells, remove the spacer from the lower magazine assembly and store in a secure location. (b.)



Step 8

Place the lower magazine assembly inside the stock (a.) and secure it at the rear of the stock with the 8-32 x 1/2" screw you removed earlier. (b.)



IMPORTANT:
Ensure the lower magazine assembly is properly seated or the retention screw will not engage the assembly.



For more information or for further assistance:

Visit our website at: www.TactaLoad.com

Call us Toll-Free at: 1-(800) 676-4816 or Email us at: info@tactaload.com